



A step ahead right from the start.

Apollo series



Shredding technology that gives you a cutting-edge calculation. Apollo series.

Strong, reliable, economic: the Apollo model series makes you ready for recycling. Tailored to companies with low to medium material volumes, the machine enables cost-effective shredding of varying product waste down to defined granulate sizes. The combination of perfected machine technology and intelligent comfort functions guarantees a high degree of operational reliability as well as particularly simple operation and maintenance. Thanks to numerous optional features, the shredder can be tailored precisely to your material requirements. Start shredding efficiently!

Apollo series. A step ahead right from the start.



Ready for your material: the rotor variants.

- **Profiled Rotor.** Universal-use. For homogenous shredding results and high throughput levels.
- **Square Blade Rotor.** Energy efficient with controlled material feed. Ideal for hard plastics etc.

Strong technology. Reliable operation.

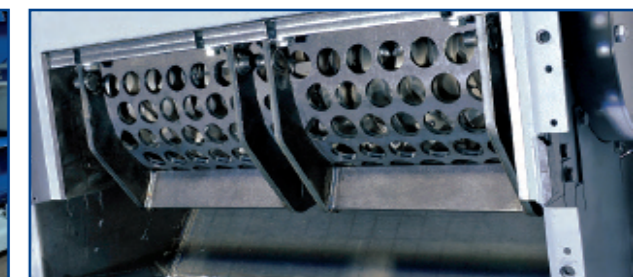
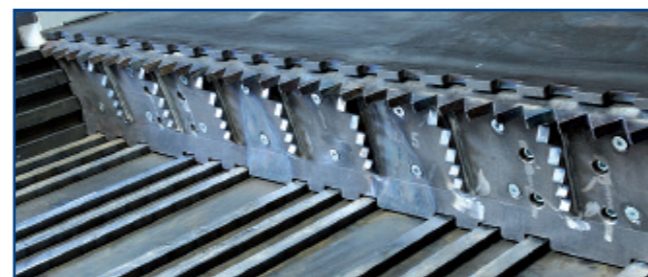
- **Robust gear drive** with differing performance levels, fitting for your requirements.
- **Intelligent operating concept** with limit switches in all relevant areas.
- **Hydraulic force feeder with spikes.** Prevents light-weight materials from jumping off and ensures a continuous material feed.

Maintenance, made simple.

- **Sliding Hopper.** Newly developed movable hopper that enables quick cleaning of the machine and optimum access for maintenance work.
- **Modular screen system** for quick and simple screen changes.

For special requirements: the plastics options.

- **Rotor cooling** for heat-sensitive plastics.
- **Rotor-wearing protection** for contaminated plastics.
- **Extended Frame** to prevent bridging in processes involving large parts.



Some things just can't be improved.
We do it anyway. Lindner reSource.

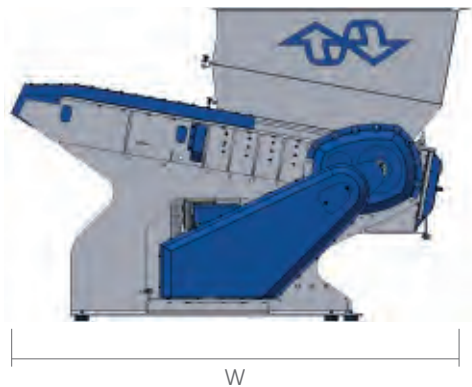
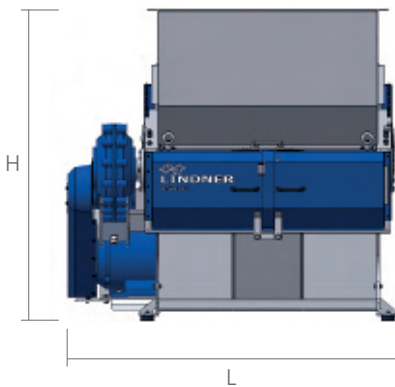
To make the best machines even better, we are constantly developing and improving our shredding technologies. Our engineering competence and our ultra-modern serial production enable us to develop path-forging solutions like the Apollo series. Our technical service also guarantees the highest safety standards. And all with one goal in mind: boosting your productivity.



Apollo series. Technical data.

| Model | Rotor diameter (mm) | Rotor length (mm) approx. | Blade sizes (mm) | Motor power (kW) | Machine dimensions L x W x H (mm) | Feed opening material L x W (mm) | Weight (kg) approx. |
|-------------|---------------------|---------------------------|-----------------------------|------------------|-----------------------------------|----------------------------------|---------------------|
| Apollo 700 | 370 | 650 | 40 x 40; 43 x 43 65 x 65 | 15/22; 30 | 2,299 x 1,725 x 2,030* | 700 x 1,200 | 3,600 |
| Apollo 1000 | 370 | 1,000 | 40 x 40; 43 x 43 65 x 65 | 30; 45 | 2,655 x 2,070 x 2,030* | 1,000 x 1,400 | 4,400 |
| Apollo 1300 | 370 | 1,300 | 40 x 40; 43 x 43 65 x 65 | 45; 55 | 2,655 x 2,370 x 2,030* | 1,300 x 1,400 | 5,500 |
| Apollo 1600 | 370 | 1,600 | 40 x 40; 43 x 43 65 x 65 | 55; 75 | 3,242 x 2,321 x 2,030 | 1,600 x 1,700 | 6,800 |

*Dimensions including switching cabinet



August 2014. All technical modifications reserved, also due to printing and other errors. Illustrations are not binding. All data is only approximate.